

Easy Track (ET2)

Assembly and Operation Guide



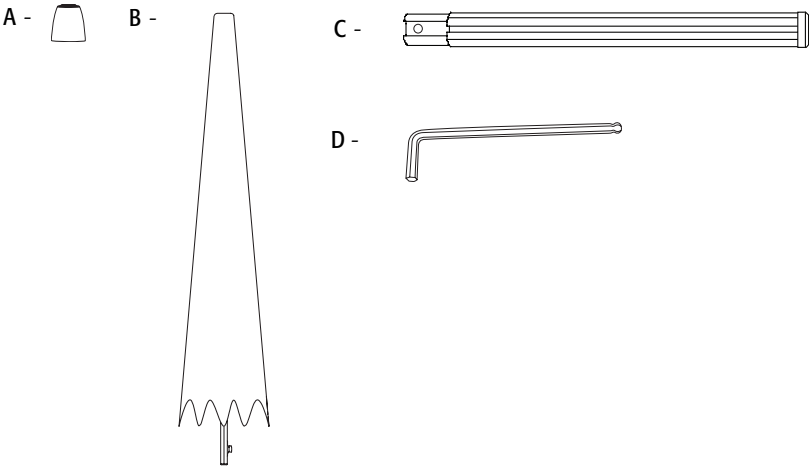
Thank you for your purchase of Treasure Garden's Easy Track Umbrella.

Please remove all contents from the package, inspect and review checklist.

You may also watch an Instructional Video for this umbrella at www.treasuregarden.com.

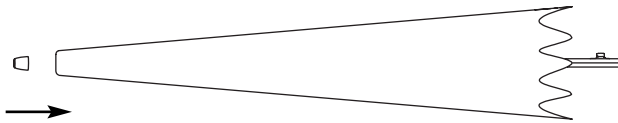
EASY TRACK CHECKLIST

- A - (1) Finial
- B - (1) Canopy/Mainframe
- C - (1) Bottom Pole
- D - (1) Hexagon Wrench



STEP 1 Set Up

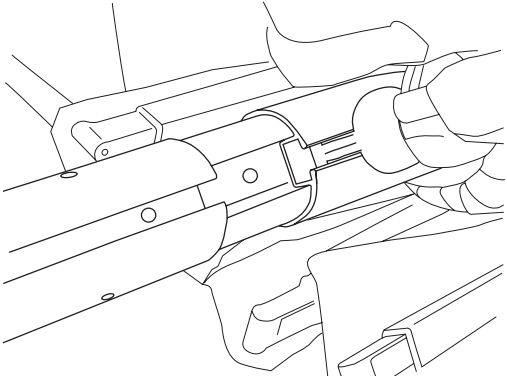
Carefully remove umbrella from box. Attach finial to top of canopy/mainframe by turning clockwise until tightened (Fig. 1).



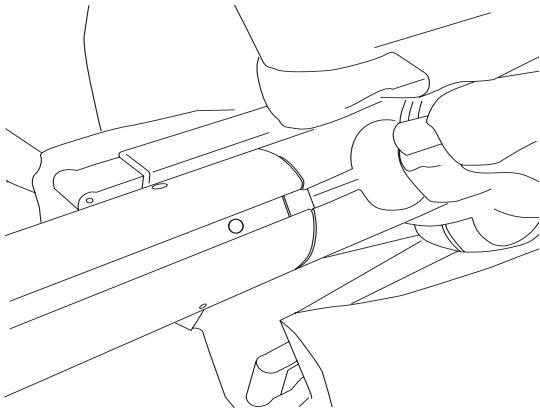
(Fig. 1)

Insert bottom pole (Fig. 2) into umbrella frame (Fig. 3) align grooves as shown and slide into frame completely.

(Fig. 2)

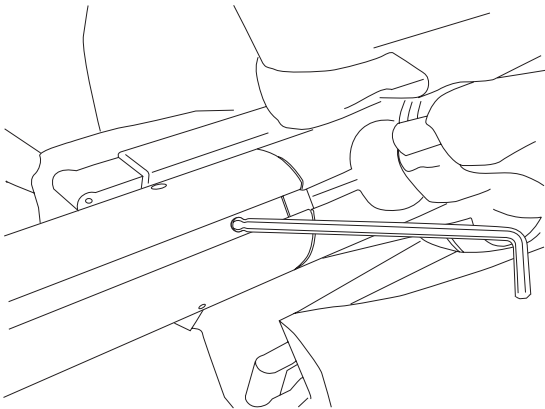


(Fig. 3)



Secure bottom pole with frame into place by tightening hexagon screw in the track with the hexagon wrench (Fig. 4).

(Fig. 4)



STEP 2 For Table and Free-Standing Applications

Using a two-person team, lift umbrella and insert into hole of the dining table or free-standing base stem.

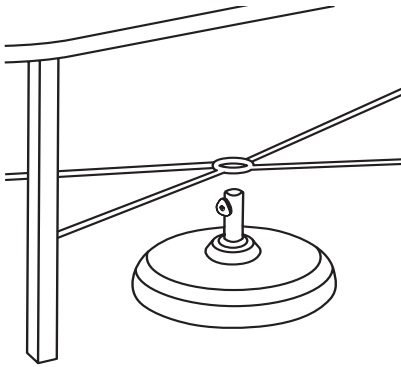
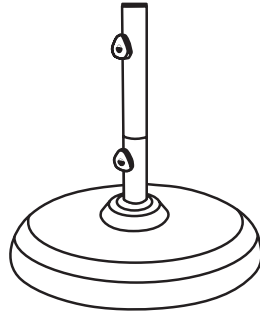
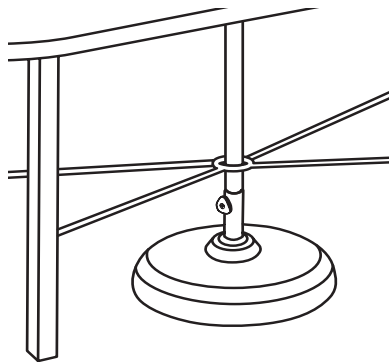


Table Application



Free Standing Application

While one person inserts umbrella through the table, the other person will help guide umbrella pole into base and tighten base stem knobs (Fig. 5).



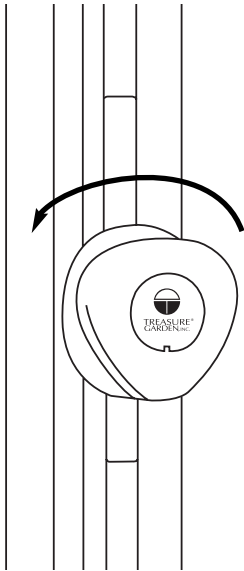
(Fig. 5)

STEP 3 Opening

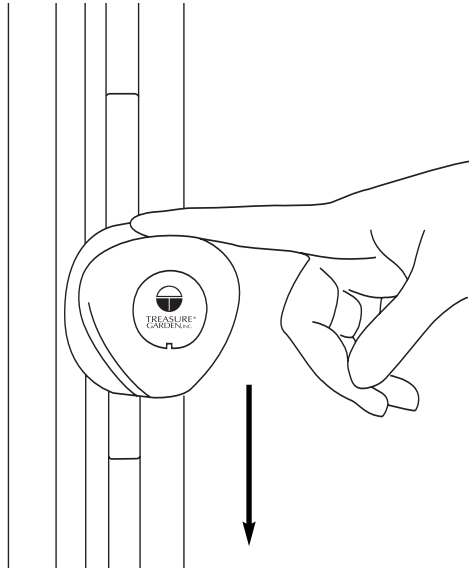
Important: Remove all plastic packaging material from all parts prior to opening umbrella.
Check under canopy for packaging around ribs.

To open, turn the Trexagon™ knob counter-clockwise (Fig. 6) and guide the Trexagon™ knob downward (Fig. 7) until it stops. Turn the Trexagon™ knob clockwise to lock umbrella (Fig. 8).

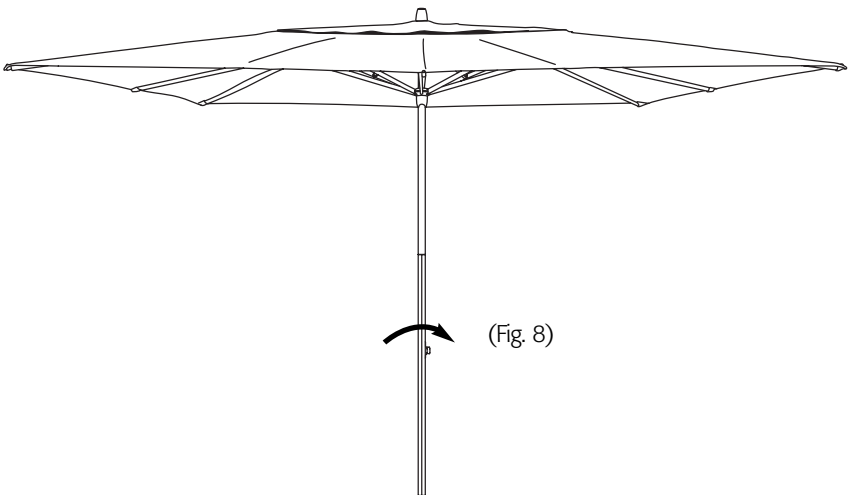
Note about Easy Track system: This heavy-duty automatic umbrella features an easy-to-use telescoping track system to open and close the canopy with a simple one-finger effort.



(Fig. 6)



(Fig. 7)

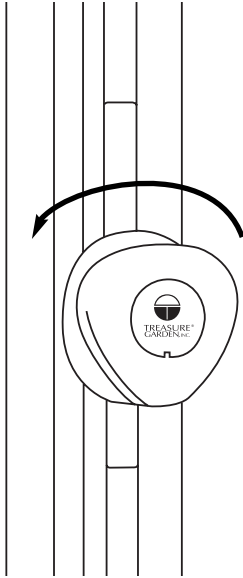


(Fig. 8)

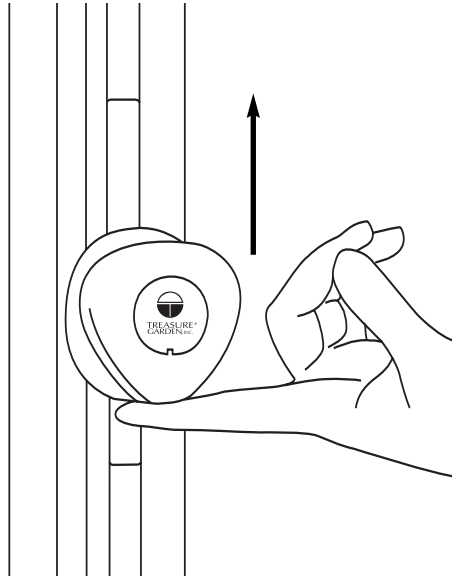
Note: Do not over tighten!

STEP 4 Closing Umbrella

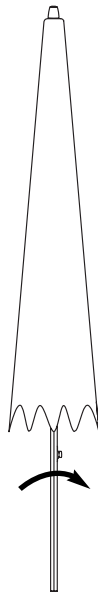
To close, turn the Trexagon™ knob counter-clockwise (Fig. 9) and guide the Trexagon™ knob upward (Fig. 10) until it stops. Turn the Trexagon™ knob clockwise to lock the umbrella (Fig. 11).



(Fig. 9)



(Fig. 10)



(Fig. 11)

WARRANTY:

Treasure Garden warrants this product (in residential use) to be free from defects in original materials and workmanship for a period of 2 years from the date of purchase. If a defect in the original material or workmanship appears during the warranty period; Treasure Garden will (at its option) repair or replace the product without charge. Limited warranty against fabric fading, depending on fabric.

Simply contact your original authorized Treasure Garden dealer with a description of the defect. The dealer will verify the defect and work closely with Treasure Garden to obtain the necessary service. In many cases, simple problems can be solved with a replacement part that can be shipped directly to the dealer for professional installation/repair.

In the event that warranted factory service is required, Treasure Garden will assume the responsibility of the return freight charges on warranted product for the 2 years only.

Returned product that (upon receipt and inspection) is deemed to be "not covered" under our warranty, will be shipped/billed at your expense.

This warranty gives you specific legal rights, and you may have other rights which vary from state to state.

NOTE: Failure caused by unreasonable or abusive use, or failure caused by neglect of reasonable and necessary care are not covered by this warranty.

Additionally, acts of nature (including but not limited to wind, hurricanes, tornadoes, and storms) are not covered by this warranty.

S A F E T Y P R E C A U T I O N S :

- Close and store the umbrella in windy conditions or when a storm approaches. Never allow the umbrella to flap in the wind; this could damage the canopy.
- Do not leave open umbrella unattended. If damage occurs, this is not covered by the warranty.
- When adjusting the umbrella, make sure that no person(s) or item(s) are close to the umbrella. This is important to prevent injury or material damage.

C A R E A N D M A I N T E N A N C E :

- When not in use, close and cover umbrella with a protective cover (not included).
- Allow a wet canopy to dry while in open position.
- If necessary, clean the fabric with lukewarm water, mild detergent, and a sponge.
- Wipe sliding marks on the aluminum poles with a damp cloth.

Winter Storage:

- Store in a dry, protective place.
- Any visible defects must be repaired by a professional.

After the Winter:

- Areas subject to turning and sliding can be treated with a non-staining lubricant spray (silicone-based).
- Check the condition and function of the umbrella. Any defects must be repaired by a professional.



www.treasuregarden.com

©2011 Treasure Garden, Inc. - All Rights Reserved.

Initial 8/11